



The Bhagirathi Co-op. Milk Producers' Union Ltd.
Feeder Dairy: P.O-Berhampore: PIN -742101: Dist.-Murshidabad
e-mail: bhagirathi6@rediffmail.com; Website: www.bhagirathimilk.com

NOTICE INVITING TENDER

BU/PUR/PKGM/ 3285

Dated: 15.03.2024

The Bhagirathi Cooperative Milk Producers' Union Limited invites Online Tender (E-Tender) in two bid system for supply of PET Ghee Containers for a period of two years in regular consignments as deserved by the Milk Union.

IMPORTANT DATE AND TIME SCHEDULE

Sl. No.	Particulars	Date & Time
1	Date of uploading of N.I.T. Documents (Online)	15.03.2024 at 1500 hrs
2	Documents download start date (Online)	15.03.2024 at 1505 hrs
3	Technical Bid proposal submission start date (Online)	15.03.2024 at 1510 hrs
4	Bid Submission end date (Online)	22.03.2024 at 1600 hrs
5	Technical bid opening date	26.03.2024 at 1600 hrs
6	Pre bid Meeting (Bidders can contact through mail/telephone regarding any short of query)	NIL
7	Financial Bid Opening date	To be notified later

The details of work are given below:

Nature of Work	Tender for supply of PET Ghee Container
Scope of Work	Development of transparent PET Container and PP Caps as per approved design of the Milk Union. Development of shrink wraps and PET foils of 500 gm and 200 gm respectively along with supply in regular consignments for a period of 2 years in consignments desired by the Milk Union.
Estimated Cost of Work	Rate to be offered by the bidder
Contract Period	2 years
Bid Inviting Authority	The Managing Director of The Bhagirathi Cooperative Milk Producers' Union Limited
Eligibility Criteria	Credentials: 1. GST Registration Certificate 2. PAN Card
Statutory & Non Statutory Documents	1. GST Registration Certificate 2. PAN Card 3. Lowest Bidder has to submit Certificate of Analysis of Ghee Containers. N.B: All these documents are mandatory. Failure to upload the documents will result in disqualification during technical bid. No document is to be sent physically.

Earnest Money Deposit	<p>The EMD amounting to Rs. 2,000/- should be deposited online through Net Banking, NEFT/RTGS in favour of The Bhagirathi Cooperative Milk Producers' Union Limited payable at Berhampore.</p> <p>EMD shall not carry interest. EMD shall be exempted for MSMEs.</p> <p>Tenderers will select the Tender to bid and initiate payment of pre-defined EMD for that tender by selecting from either of the following payments modes (vide Finance Department Memorandum no. 3975-F(Y) Dt. 28/07/2016) :</p> <ol style="list-style-type: none">1. Net banking (any of the banks listed in the ICICI Bank Payment gateway) in case of payment through ICICI Bank Payment Gateway.2. RTGS/NEFT in case of offline payment through bank accounts in any Bank. <p>Payment procedure.</p> <p>a) Payment by Net Banking (any listed bank) through ICICI Bank Payment Gateway :</p> <ol style="list-style-type: none">1. On selection of net banking as the payment mode, the bidder will be directed to ICICI Bank Payment Gateway webpage (along with a string containing a Unique ID) where he will select the Bank through which he wants to do the transaction.2. Bidder will make the payment after entering his Unique ID and password of the bank to process the transaction.3. Bidder will receive a confirmation message regarding success/failure of the transaction.3. If the transaction is successful, the amount paid by the bidder will get credited in the respective Pooling account of The Bhagirathi Cooperative Milk Producers' Union Limited maintained with the Focal Point Branch of ICICI Bank at R.N. Mukherjee Road, Kolkata for collection of EMD/Tender Fees.4. For transaction failure, the bidder will again try for payment by going back to the first step. <p>b) Payment through RTGS/NEFT:</p> <ol style="list-style-type: none">1. On selection of RTGS/NEFT as the payment mode, the e-Procurement portal will show a pre-filled challan having the details to process RTGS/NEFT transaction.2. The bidder will print the challan and use the pre-filled information to make RTGS/NEFT payment using his Bank account.
------------------------------	---

3. Once payment is made, the bidder Will come back to the e-Procurement portal after expiry of a reasonable time to enable the NEFT/RTGS process to complete, in order to verify the payment made and continue the bidding process.

4. If verification is successful, the fund will get credited to the respective Pooling account of The Bhagirathi Cooperative Milk Producers' Union Limited maintained with the Focal Point Branch of ICICI Bank at R.N. Mukherjee Road for collection of EMD/Tender Fees.

5. Hereafter, the bidder will go to e-Procurement portal for submission of his bid.

6. But if the payment verification is unsuccessful, the amount will be returned to the bidder's account.

B. Refund/Settlement Process:

i. After opening of the bids and technical evaluation of the same by the Quotation inviting authority through electronic processing in the e-Procurement portal of the State Government, the Quotation inviting authority will declare the status of the bids as successful or unsuccessful which will be made available, along with the details of the unsuccessful bidders, to ICICI Bank by the e-Procurement portal through web services.

ii. On receipt of the information from the e-Procurement portal, the Bank will refund, through an automated process, the EMD of the bidders disqualified at the technical evaluation to the respective bidders' bank accounts from which they made the payment transaction. Such refund will take place within T+2 Bank Working Days where T will mean the date on which information on rejection of bid is uploaded to the e-Procurement portal by the Tender inviting authority.

iii. Once the financial bid evaluation is electronically processed in the e Procurement portal, EMD of the technically qualified bidders other than that of the L1 will be refunded, through an automated process, to the respective bidders' bank accounts from which they made the payment transaction. Such refund will take place within T+2 Bank Working Days where T will mean the date on which information on rejection of financial bid is uploaded to the e-Procurement portal by the Quotation inviting authority.

iv. If the L1 bidder accepts the LOI and the same is processed electronically in the e-Procurement portal and the information on Award of Contract (AOC) to the L1 bidder is uploaded to the e-Procurement portal by the tender inviting authority.

v. As soon as the L1 bidder is awarded the contract (AOC) and the same is processed electronically in the e-Procurement portal –

a) EMD of the L1 bidder for tenders of State Government offices will automatically get transferred from the pooling account to the

	<p>State Government deposit head “8443-00-103-001-07” through GRIPS along with the bank particulars of the L1 bidder.</p> <p>b) EMD of the L1 bidder for tenders of the State PSUs/Autonomous Bodies/Local Bodies/PRI, etc will automatically get transferred from the pooling account to their respective linked bank accounts along with the bank particulars of the L1 bidder.</p> <p>In both the above cases, such transfer will take place within T+1 Bank Working Days where T will mean the date on which the Award of Contract (AOC) is issued.</p> <p>vi. The Bank will share the details of the GRN No. generated on successful entry in GRIPS with the E-Procurement portal for updation.</p> <p>vii. Once the EMD of the L1 bidder is transferred in the manner mentioned above, Tender fees, if any, deposited by the bidders will be transferred electronically from the pooling account to the Government revenue receipt head “0070-60-800-013-27” through GRIPS for Government tenders and to the respective linked bank accounts for State PSU/Autonomous Body/Local Body/PRI, etc tenders.</p> <p>viii. All refunds will be made mandatorily to the Bank A/c from which the payment of EMD (if any) were initiated.</p>
Bid Document	The bid document is available in the E-Tendering Portal of Govt. of West Bengal https://wbtenders.gov.in .
Technical Bid Evaluation	The Technical Bid will be evaluated by the Tender Committee. Bidders shall upload all the necessary documents in the Technical Folder which will be verified and evaluated by the Tender Committee.
Financial Bid	<p>Rate shall be quoted in the Financial bid</p> <p>The bidder shall quote the rate online through Computer only in the space marked for quoting rate in the Bill of Quantities (BOQ). Only downloaded copies of the above documents, digitally signed by the bidder are to be uploaded (Excel file).</p>
Validity of Bid	730 days
Download of Tender	<p>Download of Tender</p> <p>Tender to be downloaded only from the e-Tendering portal of Govt. of West Bengal i.e. https://wbtenders.gov.in .The tender will be submitted in two bid system i.e. Technical bid & Financial bid only through online.</p>
Award of Contract	The bidder selected after evaluation of financial bid by the tender committee will be given Award of Contract, subject to fulfillment of Terms and Conditions provided in the tender.
Publication of Tender	<ol style="list-style-type: none"> 1. E-Procurement Portal Govt. of West Bengal (https://wbtenders.gov.in) 2. Website of the Milk Union (www.bhagirathimilk.com)

General Terms & Conditions

1. Two part bid which consists of Technical & Financial bid separately.
2. The applicants must upload the credentials Statutory & Non Statutory documents in the Technical Folder. Nothing should be sent physically except the sample of each variant of containers.
4. The intending bidders are required to quote the rate online only. Financial Bid will contain rate of items only. No other document will be sent in the financial bid (Folder).
5. Bidder should quote unit price of the material inclusive of all taxes and levies, conversion cost, loading and unloading F.O.R The Bhagirathi Cooperative Milk Producers' Union Limited. (Price should be based on Current price of RIL PET granules + conversion cost). **All taxes, levies, mould cost, printing of multi colour shrink wraps as per approved design, affixing, pigmentation, foils, transport, loading, unloading shall come under one head i.e. Conversion Cost.**
6. EMD of the lowest successful bidder shall be converted to Security Deposit and shall be released after 2 months after successful execution of the contract.
7. Lowest bidder has to provide food grade certificate and Certificate of Analysis for Ghee Containers.
8. Payment shall be made on receipt of quality report of the supplied materials from Requisitioning Authority & on submission of Bill in duplicate along with the received challans from the Competent Authority after examination of each lot in NEFT/RTGS within 30 days of supply of materials. Payment may be delayed if there is any discrepancy or performance issue from the end of the supplier. The supplier should clearly understand his financial capacity before bid submission.
9. During the scrutiny, if it comes to the notice to the tender inviting authority that the credential(s) and/or any other paper(s) has/have been of any bidder found incorrect/ manufactured/ fabricated, that bidder will not be allowed to participate in the tender process and that application will be rejected outright. The Bhagirathi Cooperative Milk Producers' Union Ltd. Reserves the right to cancel the N.I.T. at any time without showing any reason and no claim in this respect will be entertained.
10. Supply of Goods: The goods must be delivered within delivery schedule which is 10-15 days from the date of Placement of Purchase Order. Materials ordered at a single Purchase Order must be sent in a single consignment. No materials shall be received in pro rata basis. The bidder should have the capacity to supply one third of the total quantity of annual requirement in a month. Bidder should clearly go through the tender document and understand this context before participating in the Tender. If in any case the bidder fails to adhere by this clause jeopardizing the material flow it shall invite penalty and subsequently the Contract shall be terminated and Security deposit shall be forfeited.
11. Packaging and Identification: The materials supplied should be packed properly and material quantity each pack should be clearly mentioned. Materials with improper packaging and identification shall not be accepted.
12. It is to be noted that material has to be developed and delivered within 60 days of date of acceptance of the Contract. Time being the essence of contract no variation shall be permitted in the delivery time as prescribed in the delivery schedule. If the bidder fails to

supply and execute the work in full or part of order as per delivery schedule, The Bhagirathi Milk Union Ltd. shall reserve the right to cancel the order besides forfeiture of Security Deposit.

13. One termination of contract, the Security Deposit is liable to be forfeited and any of the resultant loss beyond Security Deposit will be recovered from the contractor by deduction of the amount from bills or by legal means apart from forfeiture of any amount due to the contractor.
14. If there is any complaint regarding non conforamtion with quality/ damage / short supply / failure of schedule date delivery etc. the supplier will be responsible for replacement of the same or the cost of such item would be deducted from the bill amount, Security Deposit whichever applicable.
15. The Milk Union reserves the right to terminate this contract if your performance is found unsatisfactory.
16. **Place of Delivery: The office of The Bhagirathi Cooperative Milk Producers' Union Ltd. Feeder Dairy, Panchantala, Chaltia, Berhampore, Murshidabad, Pin-742165, West Bengal.**
17. Conditional *and* incomplete tender will not be entertained. Violation of one or more clause will result in rejection of the tender
18. The accepting authority (The Bhagirathi Cooperative Milk Producers' Union Ltd.) reserves the right to reject any or all the tenders without assigning any reason whatsoever and will not be bound to accept either the lowest tender or any of the tenders.
19. The Milk Union reserves the right to approve more than one supplier at L1 rate and it shall be termed as **alternate supplier**.
20. Before issuance of the SUPPLY ORDER, the tender inviting authority may verify the original credential(s) and/ or other document(s) of the lowest bidder with original documents, if found necessary. After verification, if it is found that the document(s) submitted by the lowest bidder is/are either manufactured or false, the work order will not be issued in favour of the said Bidder and security deposit will be forfeited.
21. The rate quoted by the bidder shall be inclusive of all taxes packing, forwarding, Excise Duty, loading and unloading & GST and other charges/ taxes if any for the delivery of the goods in the office of The Bhagirathi Cooperative Milk Producers' Union Ltd.
22. Mode of transportation, loading and unloading of goods will be arranged by the supplier and no claim in this regards shall be entertained. If in any cases loading and unloading is arranged by the Milk Union the subsequent cost shall be deducted from the bill.
23. **Price Variation Clause: The Conversion cost includes All taxes, levies, mould cost, printing of multi colour shrink wraps as per approved design, affixing, pigmentation, design, packaging, pet foils, transport, loading, unloading shall come under one head i.e. Conversion Cost** which shall be fixed during the tenure of the Contract. The rates of granules shall be based on rate of Reliance Relpet® G5801 Granule for Container, and Reliance H110MA PP Granule for Cap. Bidder has to mention the price of granules and conversion cost considered in the bid/offer. Conversion Cost remains fixed throughout the Contract. Before issuance of Purchase Order the supplier shall asked to communicate the

granule price along with supporting documents from reliance. The Milk Union shall verify the price and provide Supply Order to the supplier.

24. The Milk Union has the right to reject any party depending upon its poor performance in the past and no question in this regard shall be entertained.
25. The undersigned reserves the right to call a separate E-Tender by superseding this Tender at any time or cancel the tender or any bids at any point of time without assigning any reason thereof and no claim in this regard shall be entertained.

SPECIFICATION OF GHEE CONTAINERS

- a. The PET containers and PP caps should be free from odour, cracks and free from dust/dirt inside.
- b. Containers should be properly threaded for screw cap fitting and the cap should be free from cracks and deformation.
- c. Foils supplied should be free from pinholes and must be suitable for heat sealing.
- d. Ghee containers and caps should be packed in separate polythene leakage proof linear and then into suitable bags.
- e. Material used for manufacturing container, cap and foil should be of food grade quality. Test report conforming the same must be supplied to the Milk Union after finalization of Contract.

Sl. No.	SKU	Wt. of Containers	Wt. of outer Cap	Size of Aluminum Foil	Total	Minimum Requirement
1.	500 gm	35 gm	9 gm	83 mm Aluminum Foil	44gm±4gm	15,000pcs / Year
2.	200 gm	25 gm	5 gm	59 mm Aluminum Foil	30 gm±2gm	15,000pcs / year

Technical Specifications

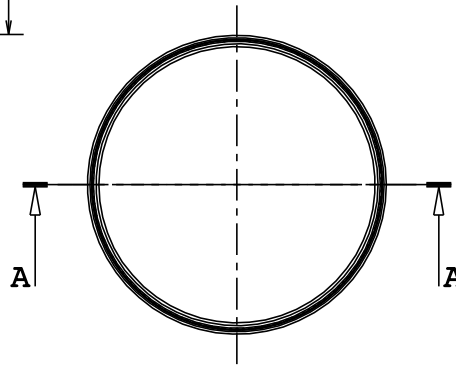
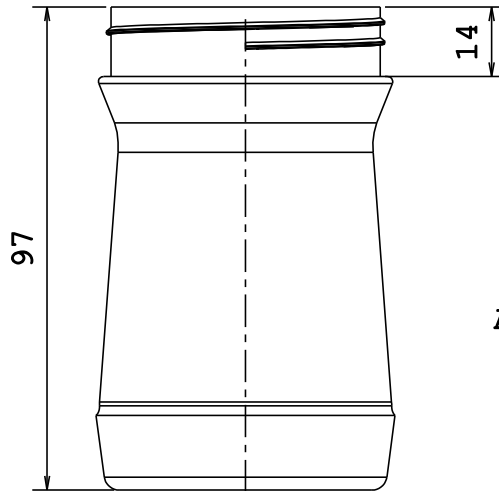
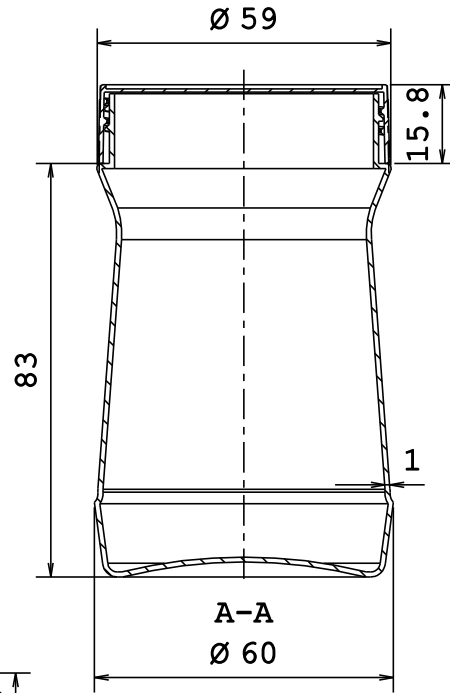
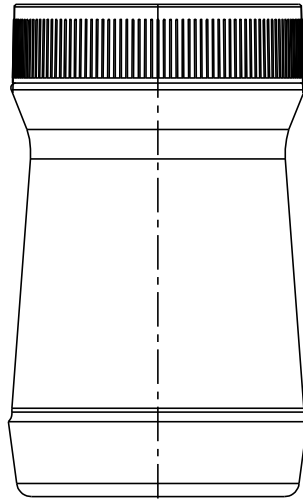
Containers must be made of Food grade virgin granules. Containers should be accompanied by printed Aluminum foils with appropriate thickness for sealing. The word "BHAGIRATHI" is to be imposed on the lid. The body shall contain shrink wrapped labels as per approved design of the milk union duly affixed by the supplier.

Bidders should strictly conform to the prescribed specification.

Sd/-
Managing Director
The Bhagirathi Cooperative
Milk Producers' Union Limited

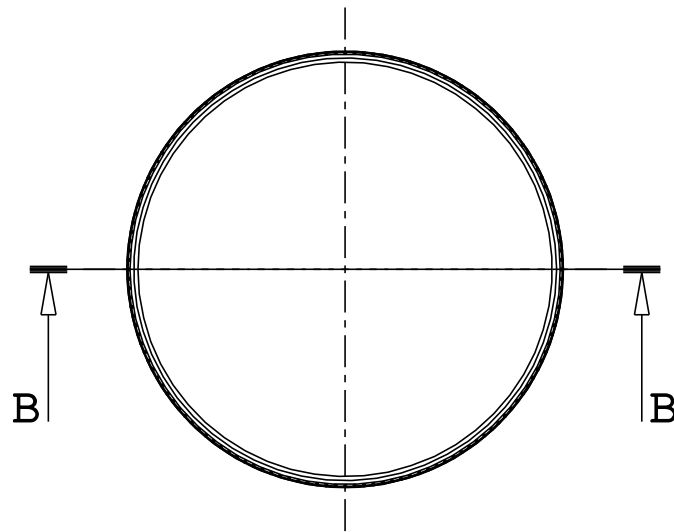
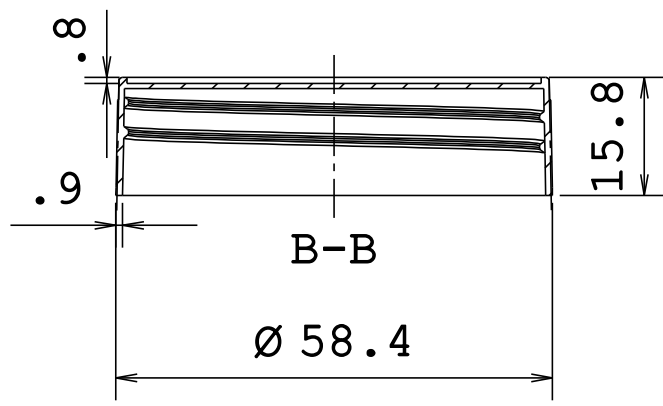
Copy forwarded to:

1. Official Website (www.bhagirathimilk.com)
2. E Procurement Portal of Govt. of West Bengal <https://wbtenders.gov.in>



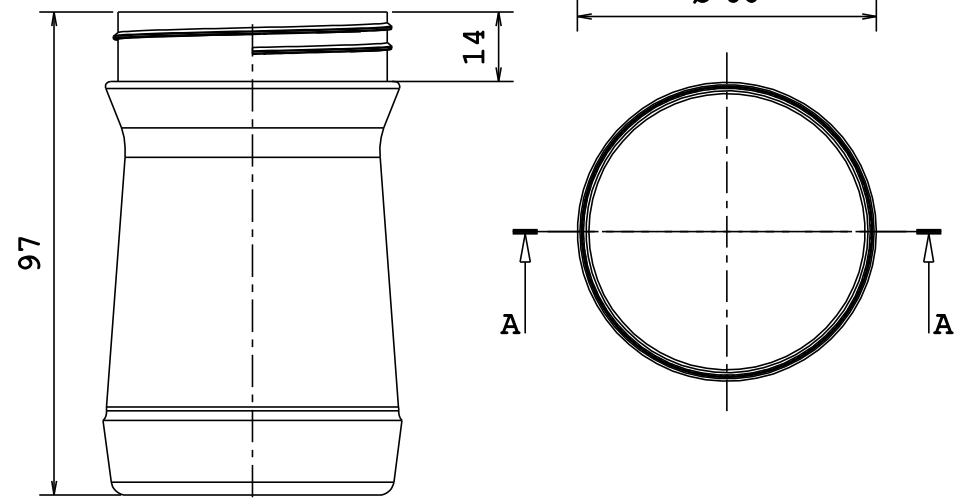
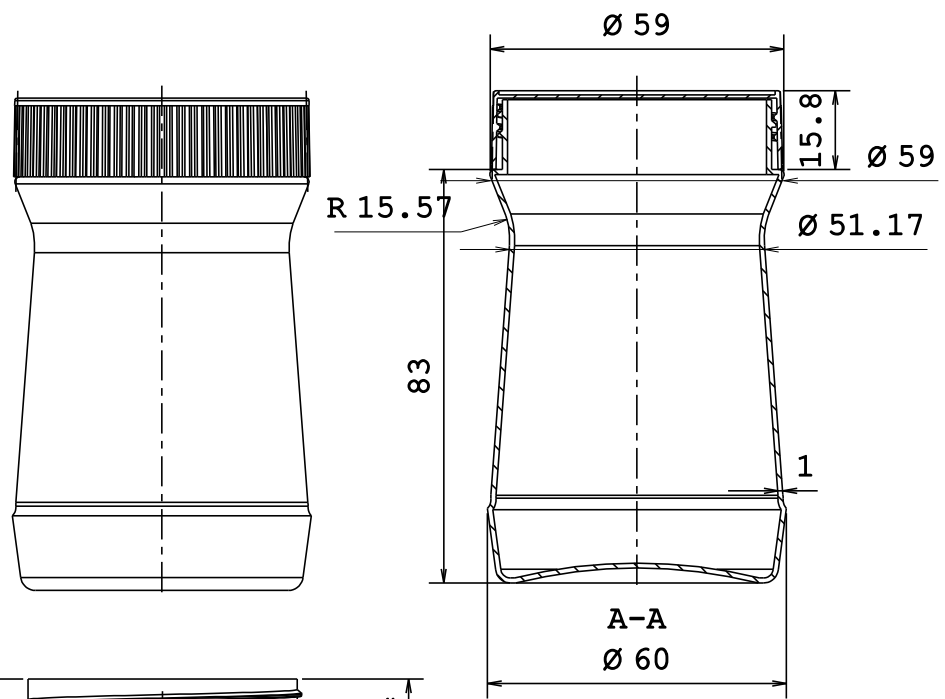
200ml ghee container

TIPAK	DRAMA	DATE
	CHUCKRO	DATE
SCALE	All dimensions in MM	
	1:1	SHEET



200ml cap

TITAN	DRAWN	DATE
	CHECKED	DATE
All dimensions in MM		
SCALE	SHEET	
1:1		

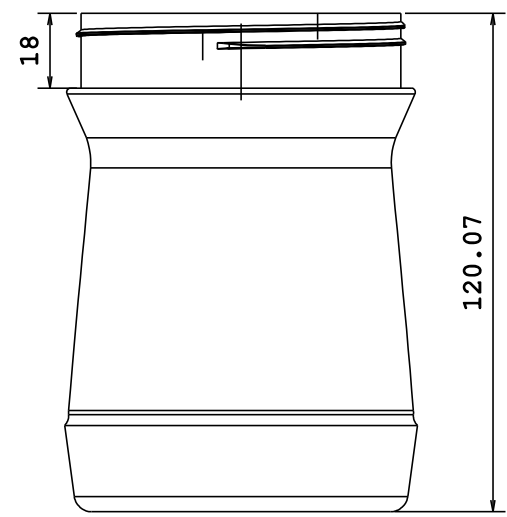
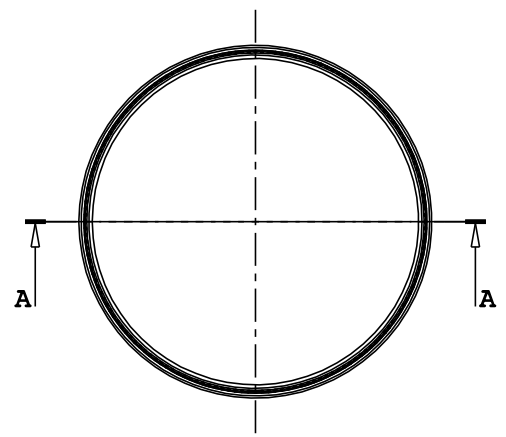
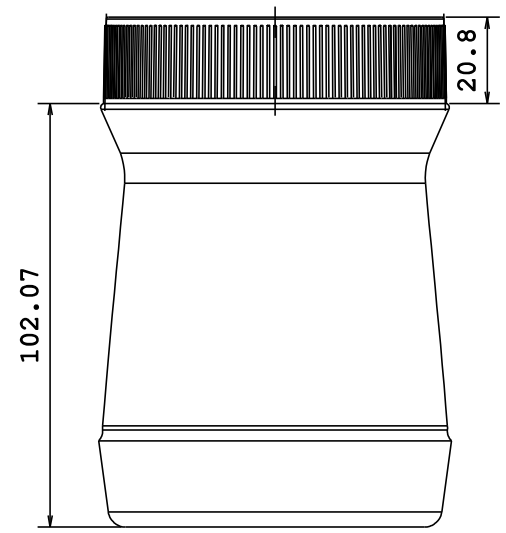
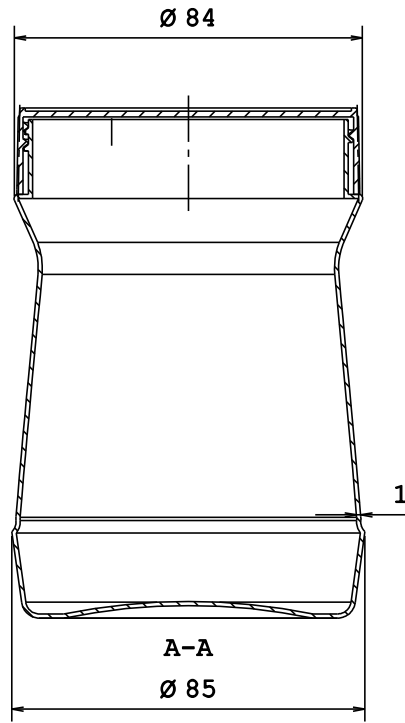


200ml ghee container

TIPAK	DRAMA	DATE
	CHUCKRO	DATE
All dimensions in MM		
SCALE	SHEET	
1:1		

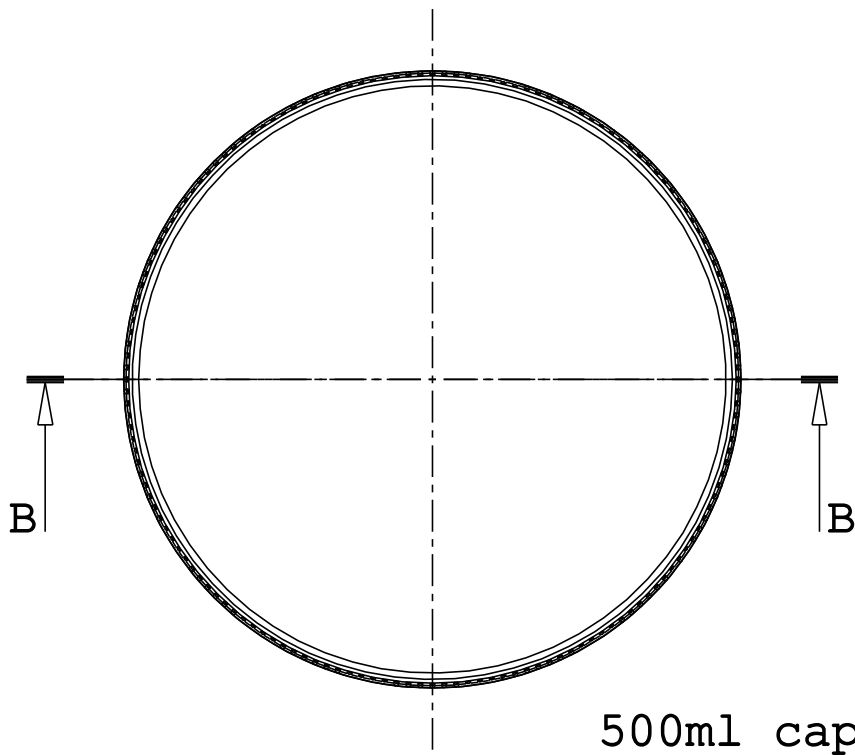
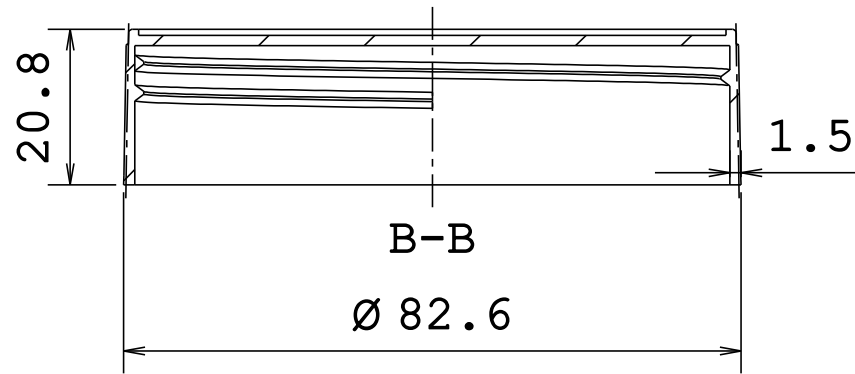


Click on the image to activate the 3D Model.



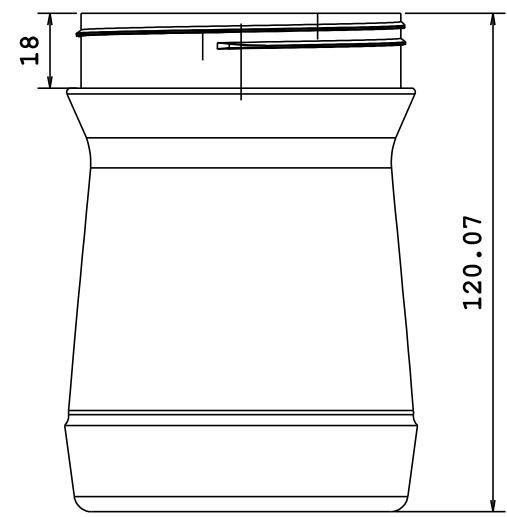
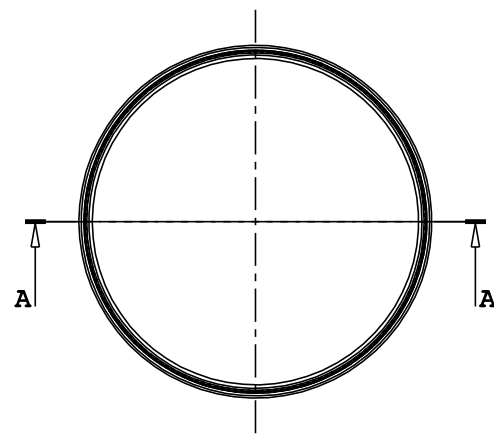
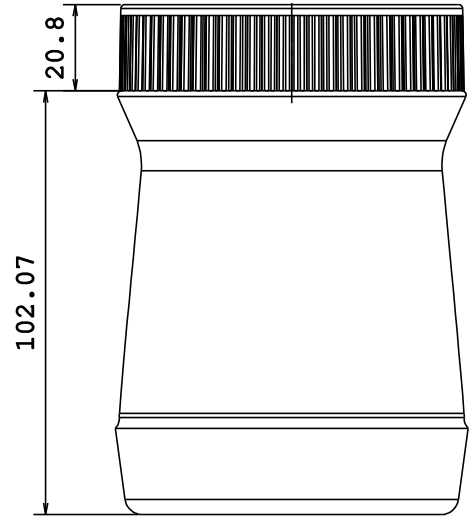
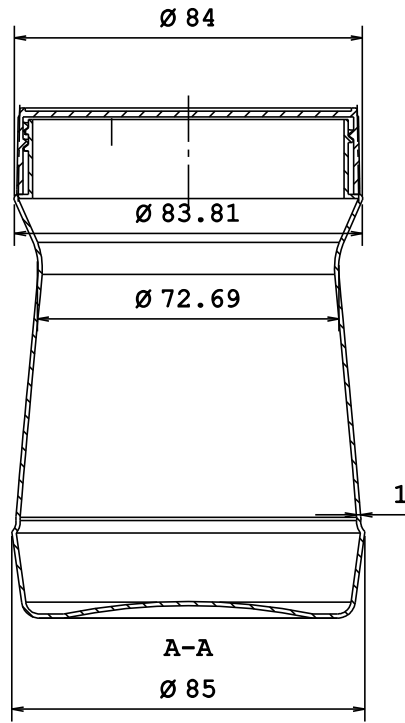
500ml Ghee container

TIPAK	DRAWN	DATE
	CHECKED	DATE
All dimensions in MM		
SCALE	SHEET	
1:1		



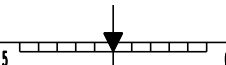
TYPAR _____ _____	DRAWN _____	DATE _____
	CHECKED _____	DATE _____
All dimensions in MM		
SCALE 1:1	SHEET _____	

DO NOT SCALE IF IN DOUBT ASK



500ml Ghee container

DESIGN	DRAWN	DATE
	CHECKED	DATE
	All dimensions in MM	
	SCALE	SHEET



Top Side Front Back Isometric